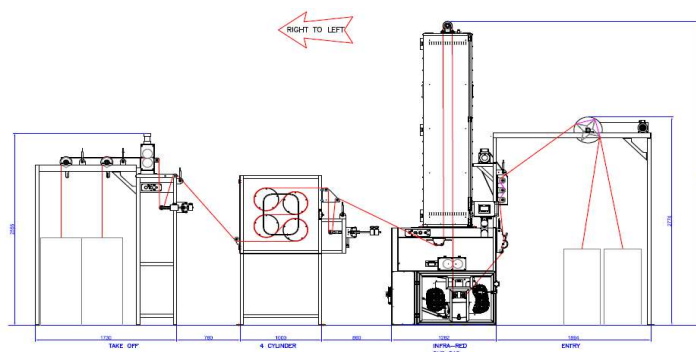




Short list: MFR 3A IR 4Cyl Finishing line

Type	MFR 3A IR 4Cyl
Features	Finishing line for elastic and rigid tapes. Combination of IR drying and contact drying/thermofixation leads to a nice finishing result along with low energy consumption
Specifications	Entry unit, 2 roll padder incl. tank lift, IR approx. 4 m, 4 electrically heated cylinders, 2 roll take-off incl. antistatic
Productivity	Roller width: 300 mm Number of ends: 4 (max 40 mm) Take-off and guiding for 6 ends available on request Production speed: 5-25 m/min
Condition	new
Overall dimensions	length: approx. 8,0 m height: approx. 4,0 m width: approx. 1,5 m



Delivery time, exw Jakob Müller
Česká Republika

Approx 8-12 weeks after ordering