

# KAM-220

Fully automatic card winding machine  
for the making-up of elastic and non-elastic tapes,  
braids, cords, trimmings and lace on cards



# KAM-220

## ▲ CONCEPT

This processor controlled, fully automatic card winding machine is suitable for both elastic and non-elastic materials.

The winding cards used for making-up can either consist of card or synthetic material. The majority of the specific article settings required can be entered from the control terminal and then stored as a database for later production repeats.

As a result, the machine is simply and easily adjusted and also ideally suited to smaller batches due to its short setting times.

## ▲ ADVANTAGES

- Neatly structured, clear and low-maintenance design.
- High performance through path- and time-optimised, movement sequence with PLC control support.
- High levels of operational comfort, easy setting and adjustment during article, size or winding length alterations.
- Product parameters entered and saved via HMI / touch screen.
- In excess of 100 articles can be saved and retrieved.
- Order batch size, production parameters and speed displayed.



# KAM-220

## ▲ OPTIONS

- Untangling and pre-transport device
- Powered run-off device
- Plate run-off device
- Exchangeable magazine
- Cellophane packaging device
- Conveyor belt

## ▲ PICTURES

- 1 Fully automatic card winding machine KAM-220
- 2 Product samples elastic tapes
- 3 Product samples of rigid ribbons and / or cord
- 4 Product samples with cellophane



## TECHNICAL DATA

Productivity at 100% efficiency e.g. 500 cards at 3 m per hour (without cellophane)

### Connections

Rated output 2,0 kW

Mains connection 3 x 400 V – 50/60 Hz

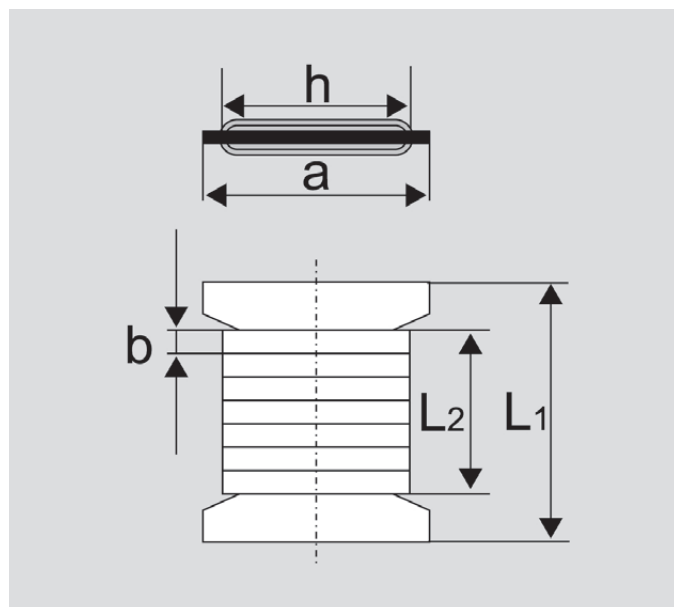
Compressed air 6 bar, consumption approx. 80 l/min

### Dimensions

Width 2800 mm

Depth 1650 mm

Height 2200 mm



### ▲ PRODUCT AND CARD DIMENSIONS

h = winding diameter 60 – 220 mm

a = card width 60 – 220 mm

L1 = card length 18 – 120 mm

L2 = winding width

- with cellophan 18 – 50 mm

- without cellophan 18 – 100 mm

b = band width 3 – 24 mm

Min. label dimension

- with cellophan 20 x 30 mm

- without cellophan 8 x 30 mm

Cords Ø 1 – 4 mm

Copyright © 2021 by Jakob Müller AG Frick  
5070 Frick Switzerland

Printed in Italy. All rights reserved.

No part of this publication may be reproduced by any means, nor translated, nor transmitted into a machine language without the written permission of the publishers.

This leaflet contains photos and technical data for information only, without contractually engagement. Subject to change without notice.

**Fascination of Ribbons and Narrow Fabrics**  
**Innovation in Machinery**

Rep.:



**Jakob Müller AG Frick**  
5070 Frick, Switzerland  
Tel +41 62 8655 111  
www.mueller-frick.com

