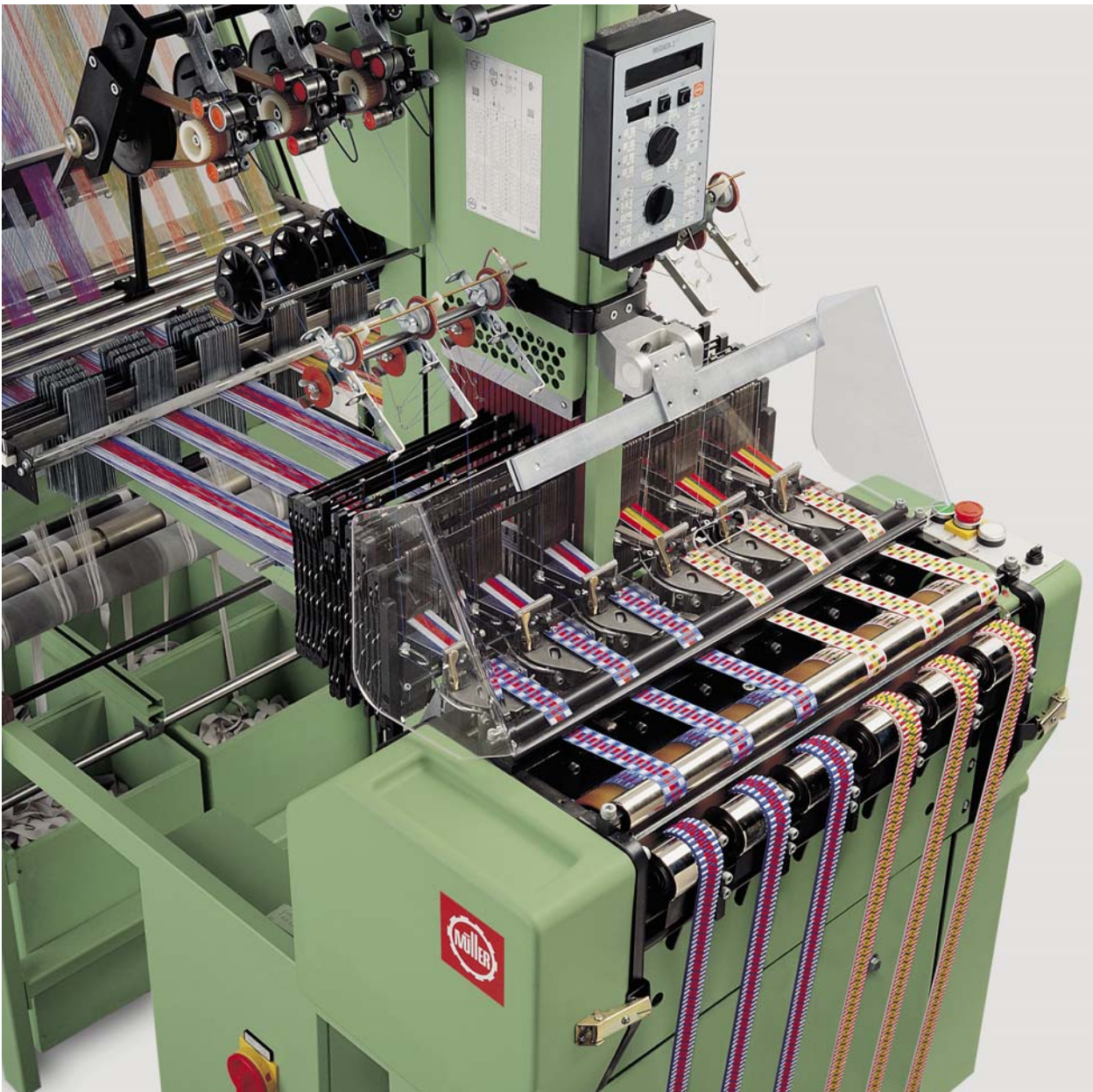


# Narrow fabric loom

NF

for light- to medium weight  
elastic and non-elastic narrow fabrics



## The narrow fabric loom with most versatile applicational options

The NF narrow fabric loom is a worldwide patented machine series for the manufacturing of woven tapes of all types. It can be optimally used for the processing of all textile materials in warp and weft. It is especially suitable for the manufacture of light to medium weight elastic and non-elastic ribbons. The NF machine series stands for high performance, efficiency and operating safety.

### General features

- Fully mature, practically-tested concept with one base model for the most diverse variants with respect to weaving head numbers, shedding motion etc.
- Well-proven design
- Stable and compact construction
- Conversion and expansion options possible at any time
- Optimized movement sequences
- Use of high-quality materials
- Precision manufactured, thanks to the use of up-to-date production facilities
- Ergonomic design
- CE conformance of design and workmanship

### Advantages for the user

- High weft performance
- Versatility in use of materials and articles
- Rapid article setting and adaptation
- High operating-friendliness
- Long service life
- Minimum maintenance costs
- Good resale value
- Optimum price/performance ratio

### Special design features

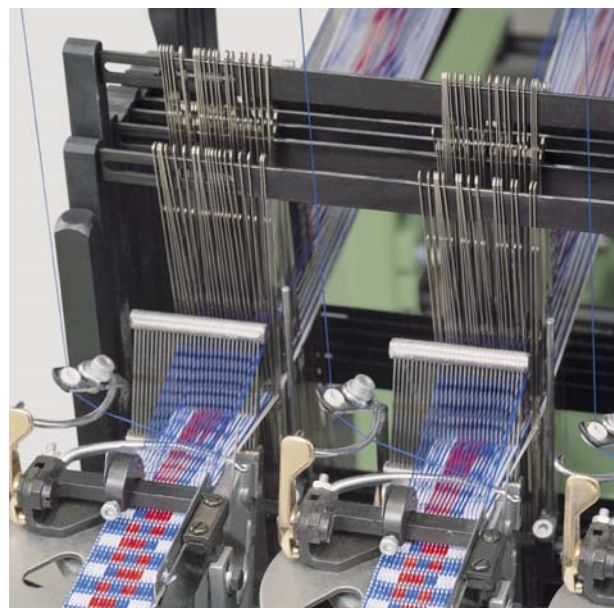
- Central heald frame motion for absolutely play-free harness frame movement
- Open harness frames for unhindered access
- Side-fitted, easily-accessible shedding motion
- Article-related shed openings
- Gearbox for shedding motion with recirculated oil lubrication
- Easily-exchanged weaving heads for changing the number of weaving heads/tape width
- Independently-adjustable weft and latch needle drives
- Infinitely selectable positive weft and binder thread transport.
- Drive with large variator and wide toothed belts for infinitely selectable machine speed or with frequency converter as an option



General view – NF machine

### Accessories

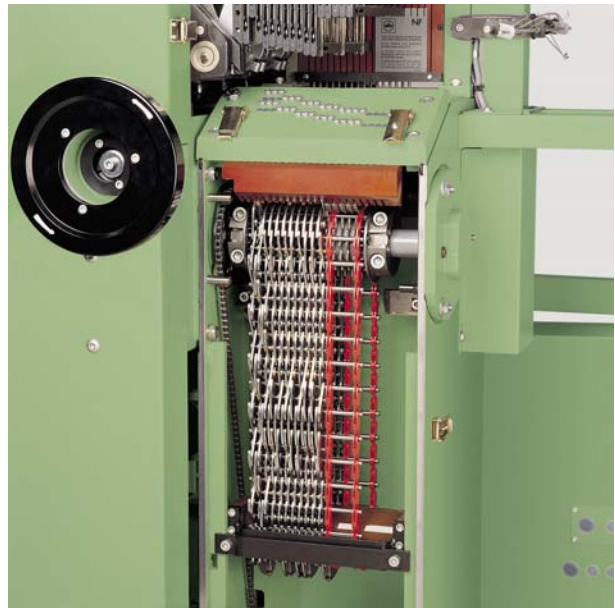
- Leno selvedge motion
- Air cleaner
- Rubber tensioning device
- Positive rubber transport
- Various designs of fabric conveyor and ribbon winding devices
- Thermofixation
- Brake rollers for weaving from cones
- Electronically controlled warp beam drive (EKAST)



Weaving head with needle, reed, harness frames and braids

**Equipment adapted to the most diverse requirements**

- Shedding motion for maximum 20 harness frames with pattern chains or cams
- Weaving systems I, II or III (with binder threads), V (with binder and catch threads)
- Fabric take-off with various designs of single and double take-off and pressure rollers
- Precision regulator for different weft density ranges
- Pawl regulator for special fabric take-off control
- Weft thread, binder thread, warp thread and back reed guard
- Creep speed gearbox
- Weaving system with 1, 2 (Z weft) or 3 weft needles (3N)
- Special parts for heavy articles
- Knock-off dagger, weft retaining hooks
- Picot, scallop and warp bow devices
- Cord tape take-off, e.g. for zipper tapes



Shedding motion with pattern chain

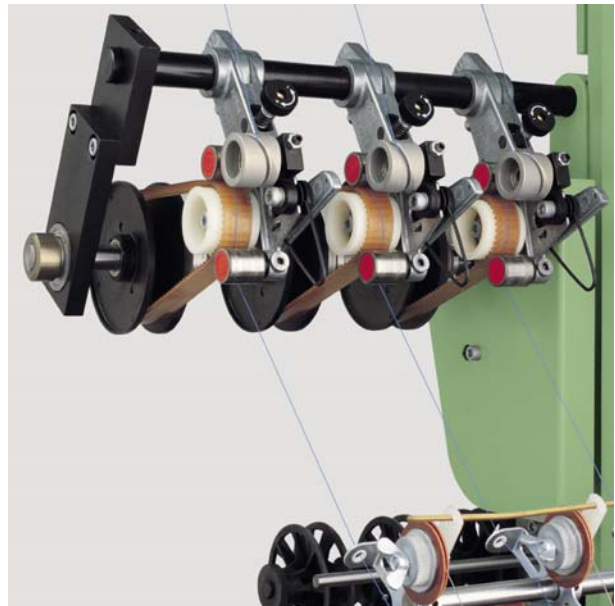
**Special devices for:**

Curtain tapes, zipper tapes, safety belts, glass tape, fancy tapes with picot, leno weaves, fringes, warp bows, surgical bandages and many other applications.

**MÜTRANS®2 weft thread transport (Müller patent)**

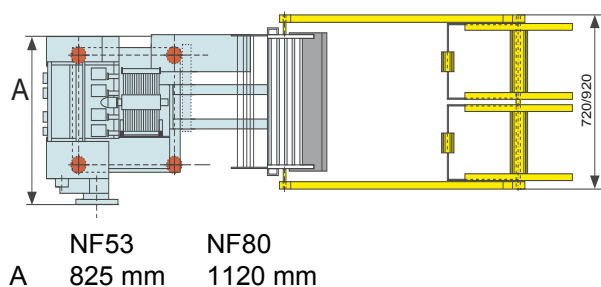
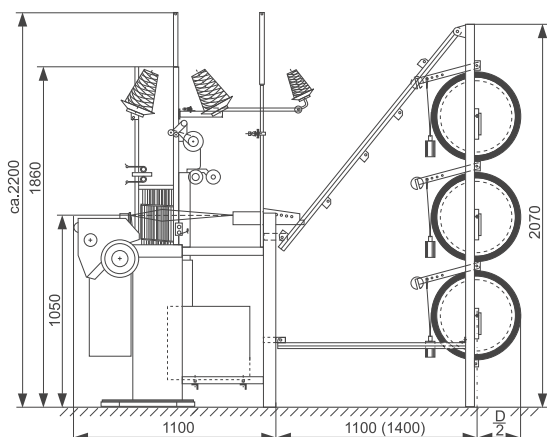
This operator-friendly weft thread transport device, which can be used for the precise transport of all weft materials, can be regulated while the machine is running by means of a precision thread and adjusting wheel.

This double-acting pressure and opening lever leaves sufficient space for the simple, direct insertion of the thread. Slip-free thread transport, which is largely insensitive to pretension differences, guarantees precise tension compensation. An optional weft guide roller extends the service life of the thread transport belt significantly.



MÜTRANS®2 weft thread transport

**Space requirement**



**Technical data**

Weaving head width in mm	18	27	27	27	33	33	42	50R	66	84R	110	130	170	210	310
Number of weaving heads – NF53	10	6	8	–	–	–	6	6	4	4	–	2	2	2	–
– NF80	–	–	12	14	12	14	8	–	6	–	4	4	–	–	2
Weft insertion from	→	→	→	→	→	→	→	→	→	→	→	→	→←	→←	→←
Max. reed width in mm															
– Boxer drive without binder thread	18	27	27	–	–	–	(35)	–	(55)	–	–	–	–	–	–
– Boxer drive with binder thread	16	24	24	–	–	–	(29)	–	(44)	–	–	–	–	–	–
– Synchro drive without binder thread	–	(30)	(30)	27	33	33	42	50	66	84	110	130	170	210	310
– Synchro drive with binder thread	–	(28)	(28)	27	33	33	42	50	66	84	110	130	170	210	310
– Synchro drive with swivel-angle reduction	–	–	–	–	–	–	–	–	–	–	–	(110/ 84)	120	150	–
Number of weft threads	Standard: 8-40 wefts/cm, other ranges selectable according to the article														
Max. number of harness frames	<b>20</b> (19 for NF53 6/50R / 4/84R, <b>18</b> for NF53 2/170 / 2/210, <b>12</b> for NF80 2 / 310)														
Repeat length	Cam: 1 : 8 pattern chain: 1 : 8 / 16 – 48 (64 – 96 side on request)														
Model description	Basic model + no. weaving heads/weaving head version. Example: <b>NF53 6/42</b>														

**Additional NF models**

**NF...2x...**

With double weft insertion at 2 levels for significantly increased production rate

**NF53...s**

With pile thread transport and cutting unit for elastic and non-elastic velvet ribbons (optional for non-elastic: warp picot)

**NF53...ds**

with pile thread transport and two cutting devices for non-elastic, double-sided velvet ribbons

**NF53...VL/AL**

For hook and loop fasteners with pile thread transport, lancet and fixing system

**NF...SNO...B**

For the random insertion of up to 6 weft colours, e.g. for tartan patterned ribbons (not available for NF80)

**NFRE**

With the MÜTRONIC® 600 electronically-controlled shedding motion (Müller patent) for large pick repeats above 96 picks

**NFJM2**

With the electronically-controlled SPE3 Jacquard machine with max. 384 hooks

**NFJK2**

With the electronically-controlled SPE3 Jacquard machine with max. 768 hooks for fine-patterned Jacquard articles

**NF...ED**

With electronic control of various thread transports

**NF...Y2 ED**

With conical reed for variable tape widths: Narrow-wide-narrow

Copyright © 2002 by Jakob Müller AG Frick  
5070 Frick Switzerland

Printed in Switzerland. All rights reserved.

No part of this publication may be reproduced by any means, nor translated, nor transmitted into a machine language without the written permission of the publisher.

This leaflet contains photos and technical data for information only, without contractual engagement.

**Fascination of Ribbons and Narrow Fabrics  
Innovation in Machinery**

Rep.:



**Jakob Müller AG Frick**  
5070 Frick Switzerland  
Tel +41 62 8655 111  
Fax +41 62 8655 777  
www.mueller-frick.com

